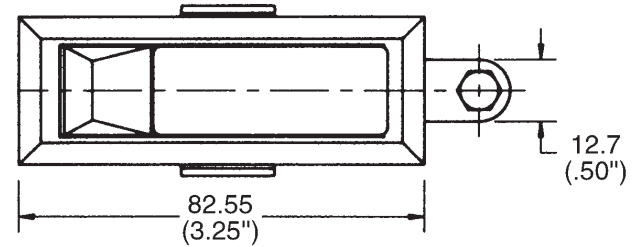
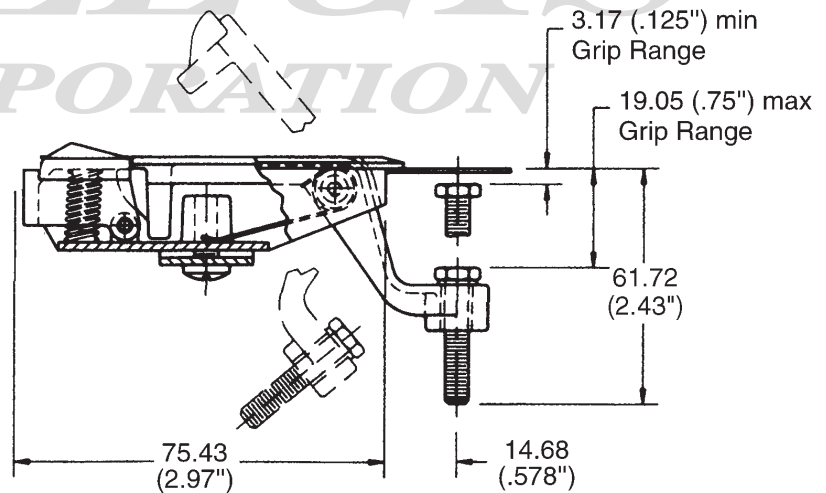
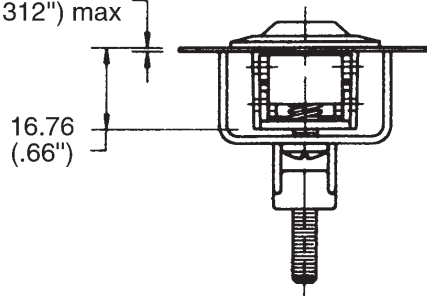


Suggested Outline
of Cutout



Panel Range
.78 (.031") min
7.92 (.312") max



www.ALLEGISCORP.com
1-866-378-7550

MATERIAL / FINISH :
Chrome

REV. :
1 : 2

DATE :
5-10-2016

DESCRIPTION :
Trigger Latch

DRAWING NO. :
534 CH